

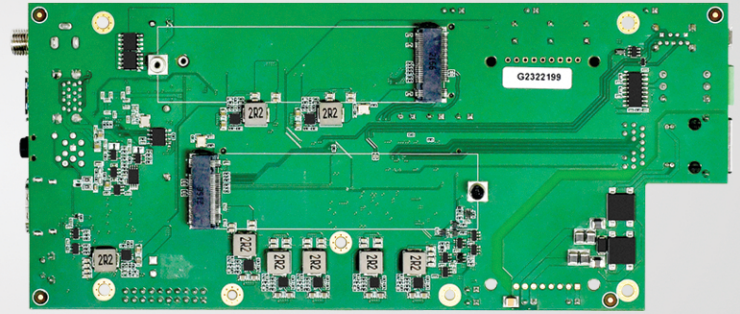
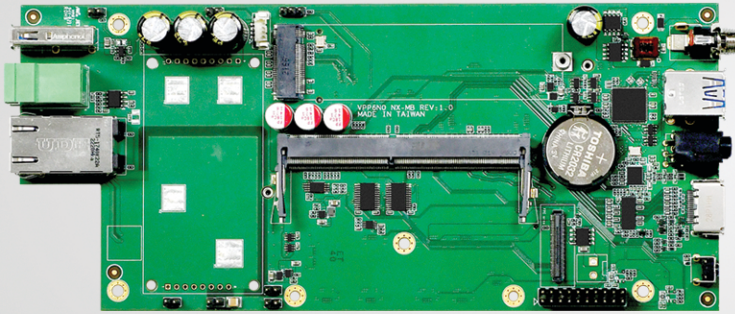


VPP6N0-MB AGX

Phone: (626) 610-1888

Email: info@acmeportable.com

Web: www.acmeportable.com



Highly Integrated AI Server, Provide 275 TOPS and Expandability

CPU

Option 1: NVIDIA Jetson AGX Orin™ 32GB
8-core Arm® Cortex®-A78AE v8.2 64-Bit CPU
2MB L2 + 4MB L3

Option 2: NVIDIA Jetson AGX Orin™ 64GB
12-Core Arm® Cortex®-A78AE v8.2 64-Bit CPU
3MB L2 + 6MB L3

AI PERFORMANCE

Option 1: NVIDIA Jetson AGX Orin™ 32GB
200 TOPS

Option 2: NVIDIA Jetson AGX Orin™ 64GB
275 TOPS

STORAGE

64GB eMMC 5.1
(On NVIDIA Jetson AGX Orin™ Module)

EXPANSION SLOT

Option 1: PCIe
1xPCIe Gen3x4 Slot
1xPCIe Gen3x8 Slot

Option 2: M.2
1xM.2 2230 E Key PCIe Gen3x1/USB2.0/SDIO Slot
1xM.2 2280 M Key PCIe Gen3x4 Slot
1xM.2 3042 B Key USB3.2 Gen2 (10G) Slot

ETHERNET

2xRJ45 for 10/100/1000Mbps Ethernet DHCP Client

AUDIO

1x3.5mm Line In
1x3.5mm Line Out

GRAPHICS CARD

Option 1: NVIDIA Jetson AGX Orin™ 32GB
1792-Core NVIDIA Ampere Architecture GPU
with 56 Tensor Cores

Option 2: NVIDIA Jetson AGX Orin™ 64GB
2048-Core NVIDIA Ampere Architecture GPU
with 64 Tensor Cores

MEMORY

Option 1: NVIDIA Jetson AGX Orin™ 32GB
32GB LPDDR5

Option 2: NVIDIA Jetson AGX Orin™ 64GB
64GB LPDDR5

DISPLAY INTERFACE

2xHDMI2.0
1xDP

USB

2xUSB3.2 Gen2 (Type-A)
1xUSB3.2 Gen1 (Pin Header)
1xUSB3.2 Gen1 (Pin Header, Without USB2.0)
2xUSB2.0 (Type-A)

MIPI

16xMIPI CSI-2 Lanes

PERIPHERALS

1xUART (Pin Header)
3xGPIO (Pin Header)
2xCAN Bus (Pin Header)
2xI2C (Pin Header)
1xSPI (Pin Header)